



# Aroyan Commercial Door Trim

Where Quality And Dependability  
Is Our Number One Goal  
That Gives You Peace Of Mind.

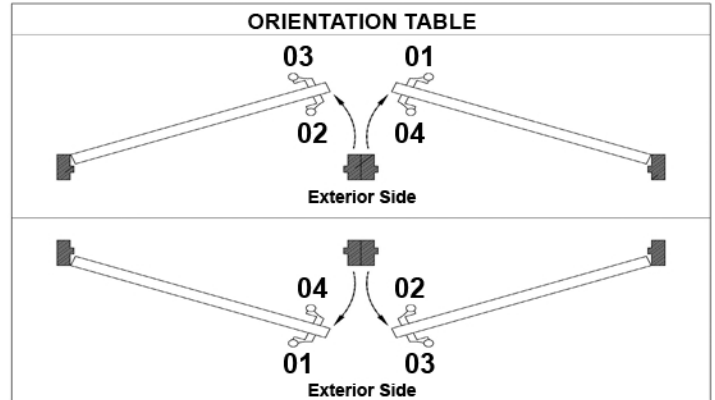
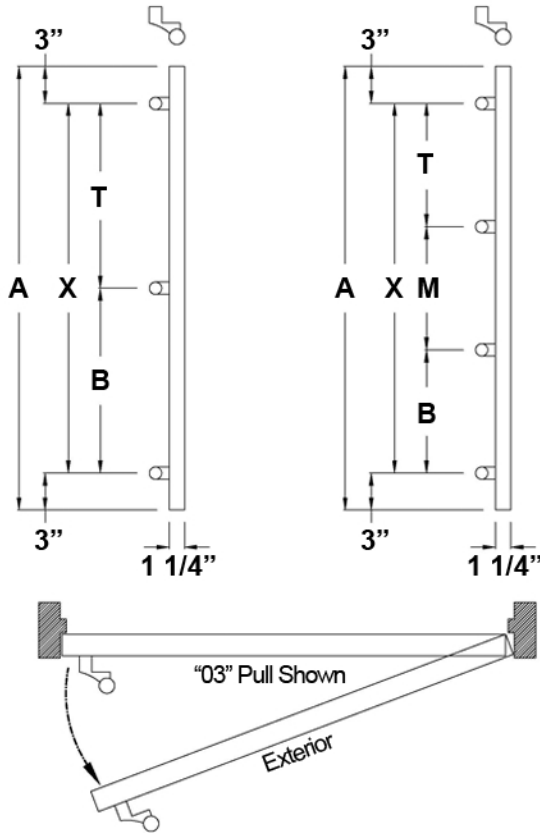
## ARM3311 - Offset Pull - Capped Flat Ends Custom "MP" Mid Post Order Form

Please fill out this form and email or fax back to: [info@aroyaninc.com](mailto:info@aroyaninc.com) / fax: 781-421-3107

### Customer Information

Contact Name: \_\_\_\_\_  
 Company Name: \_\_\_\_\_  
 Street Address: \_\_\_\_\_  
 City/State/Zip: \_\_\_\_\_

Date: \_\_\_\_\_  
 Phone: \_\_\_\_\_  
 Fax: \_\_\_\_\_  
 Email: \_\_\_\_\_



### Case Specify:

A) Overall Length: \_\_\_\_\_  
 X)  $\phi$  to  $\phi$  on End Posts ("A" Minus 6"): \_\_\_\_\_  
 T)  $\phi$  to  $\phi$  From End Post to Mid Post: \_\_\_\_\_  
 B)  $\phi$  to  $\phi$  From End Post to Mid Post: \_\_\_\_\_  
 M)  $\phi$  to  $\phi$  From Mid Post to Mid Post: \_\_\_\_\_  
 Number of Mid Posts: \_\_\_\_\_  
 Orientation Number (See Table Above): \_\_\_\_\_  
 Single or Back to Back Mounting: \_\_\_\_\_  
 Finish: \_\_\_\_\_  
 Quantity of Pulls: \_\_\_\_\_

Aroyan Inc  
 1423 Bedford Street, Unit 1  
 Abington, MA 02351  
 Phone: 781-421-3107 · Fax: 781-421-3108  
[www.aroyaninc.com](http://www.aroyaninc.com) · [info@aroyaninc.com](mailto:info@aroyaninc.com)